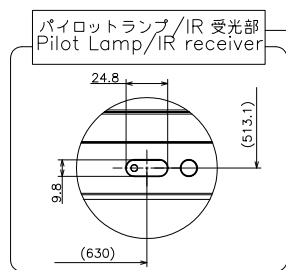
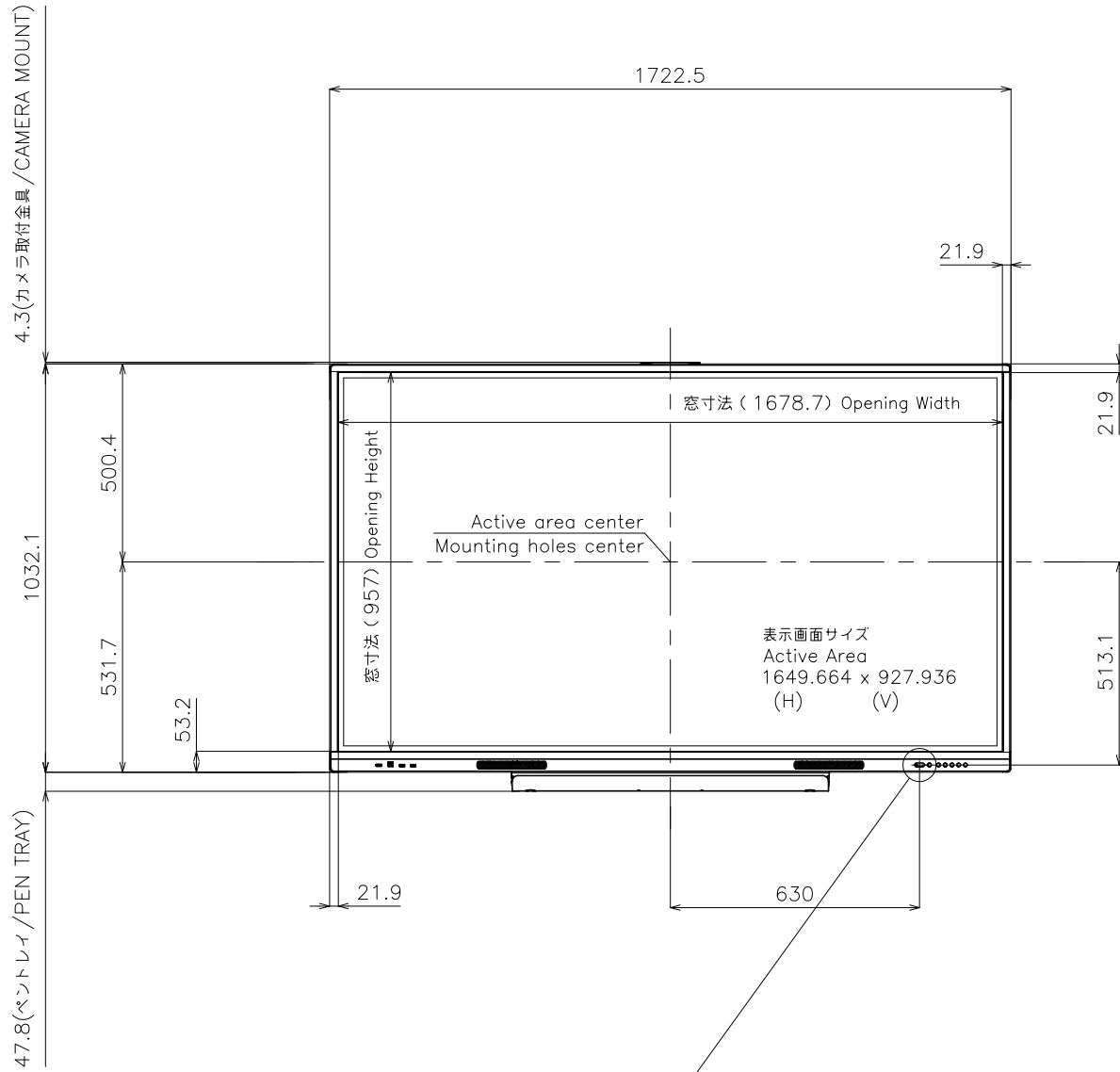


PN-LC752

寸法図
Dimensional Drawings

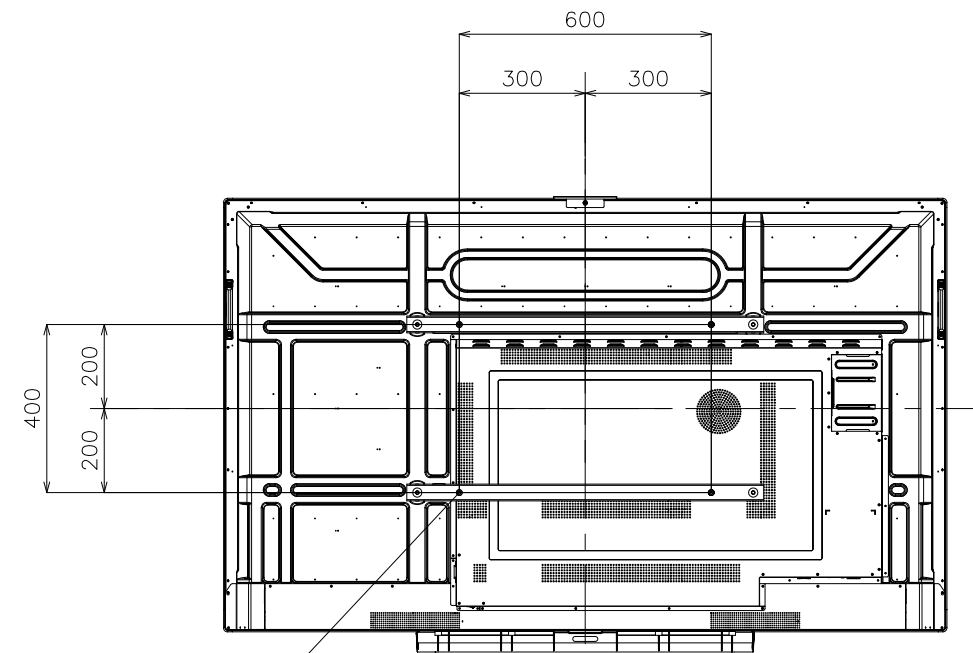
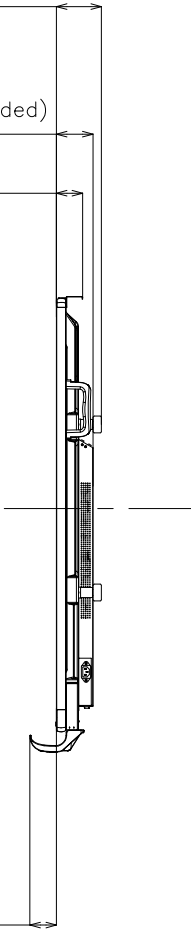


107.1
(取り付け金具用ネジ穴
Screw holes for mounting brackets)

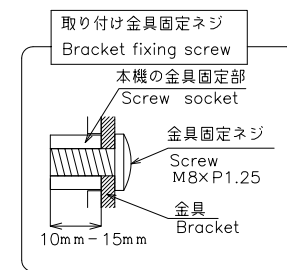
87.1 (突起含まず/Protrusion not included)

62.3(カメラ取付金具/CAMERA MOUNT)

63.4(ペントレイ/PEN TRAY)



4- 取り付け金具用ネジ穴
4- Screw holes for mounting brackets



| | | |
|--------|---------|---------|
| 質量 | 約 | 54.0 kg |
| Weight | Approx. | |

単位 : mm
Unit : mm