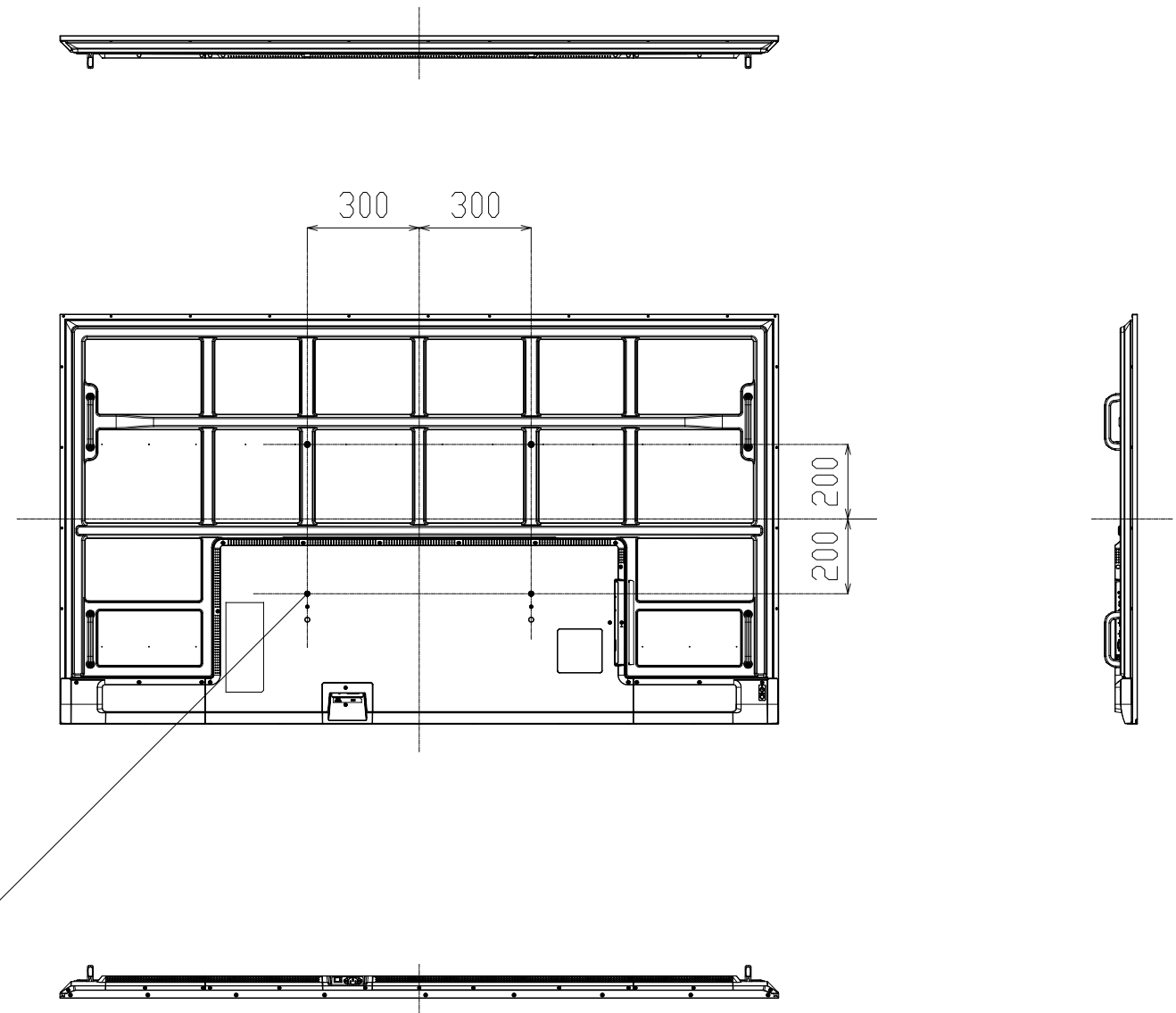
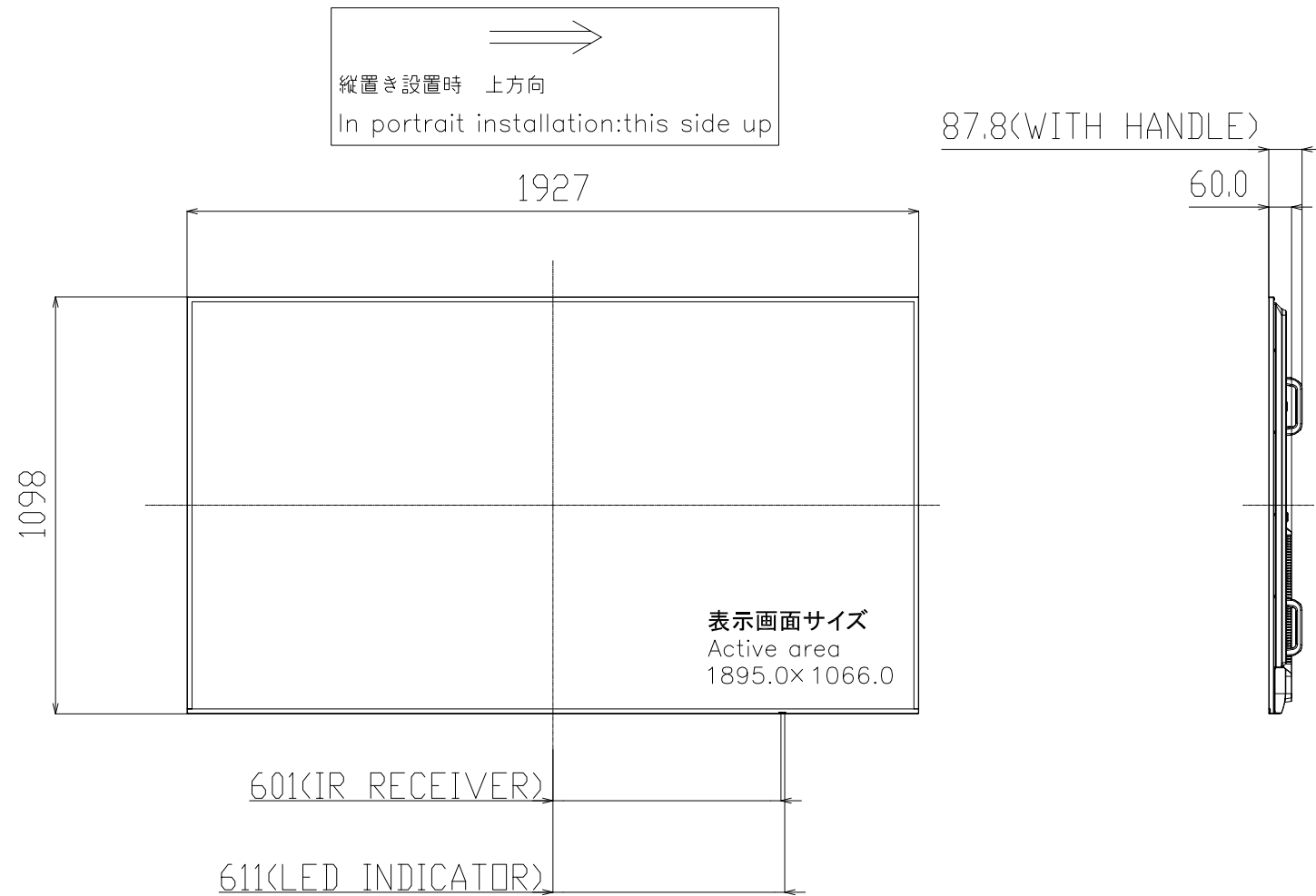


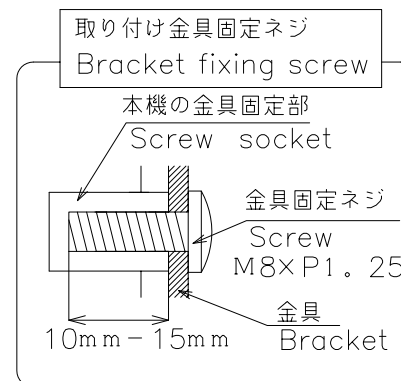
# PN-HW862

## 寸法図

## Dimensional Drawing



4-取り付け金具用ネジ穴 (M8)  
4-Screw holes for mounting brackets (M8)



単位 : mm  
Unit : mm

|              |             |         |
|--------------|-------------|---------|
| 質量<br>Weight | 約<br>Approx | 32.5 kg |
|--------------|-------------|---------|