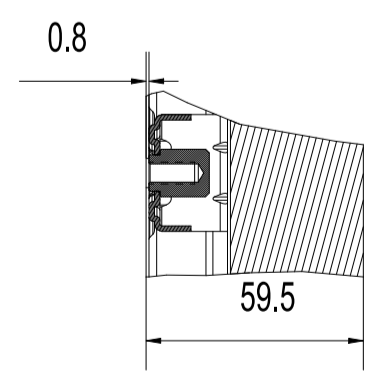
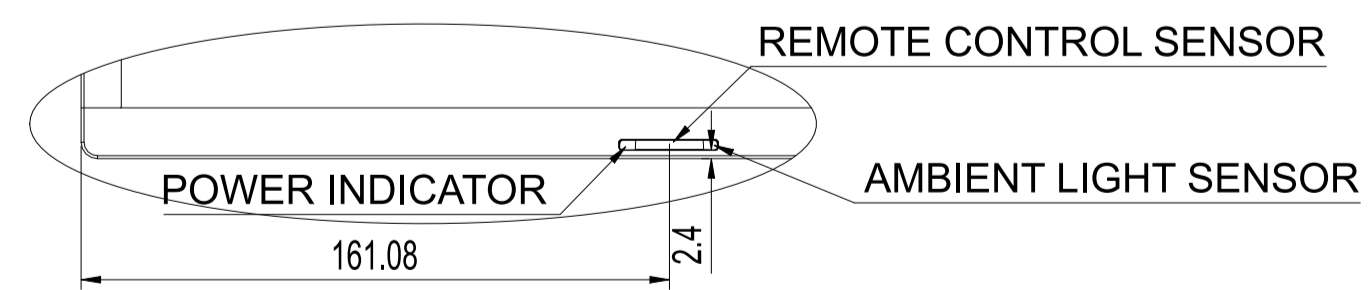


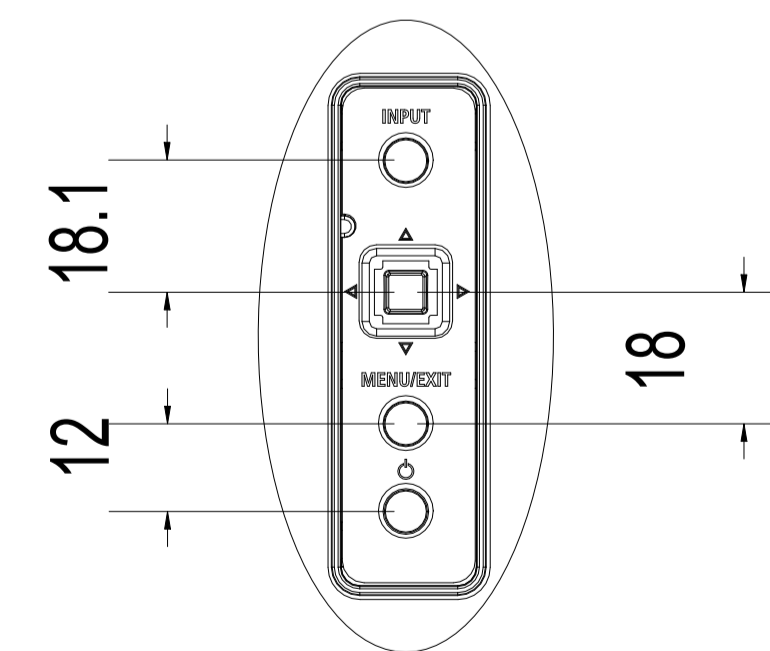
SECTION A-A



SECTION B-B



DETAIL C



DETAIL D

UNIT	mm
MODEL	PN-M552
DATE	2025/02/04