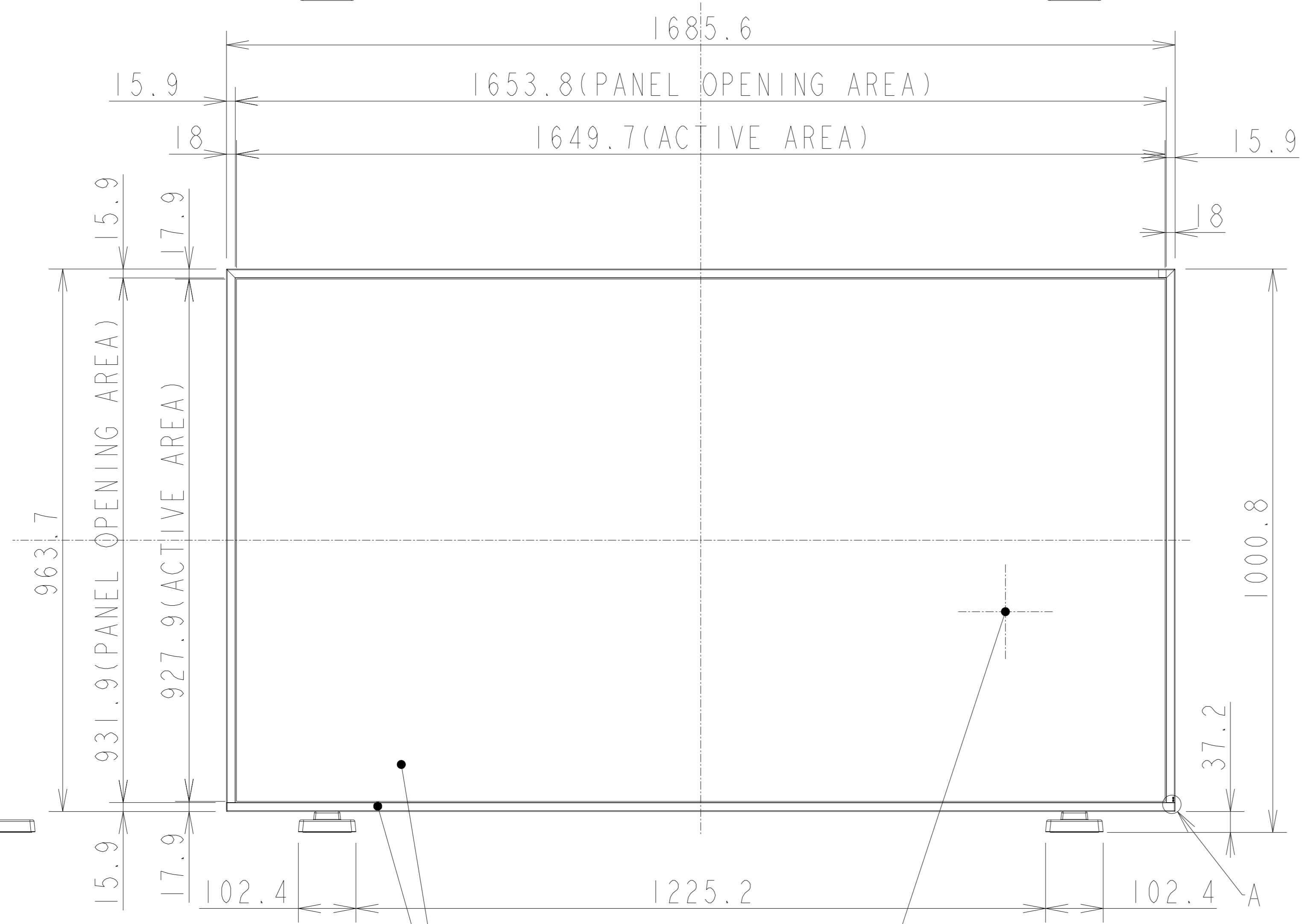
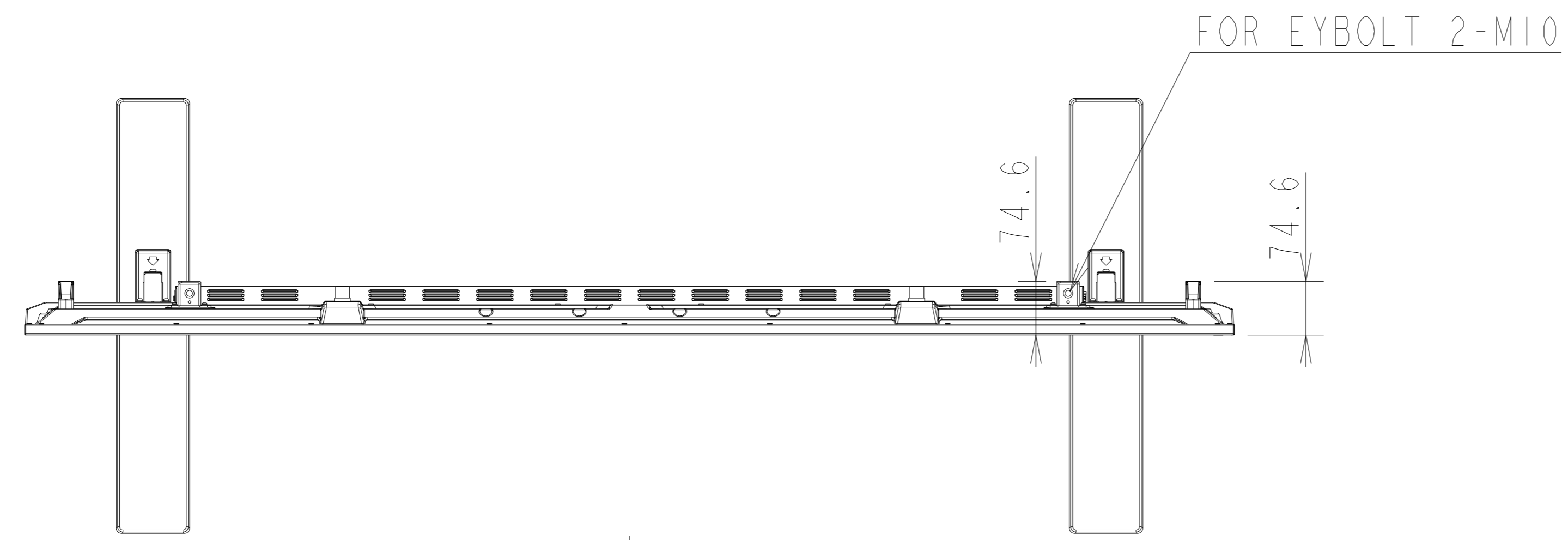
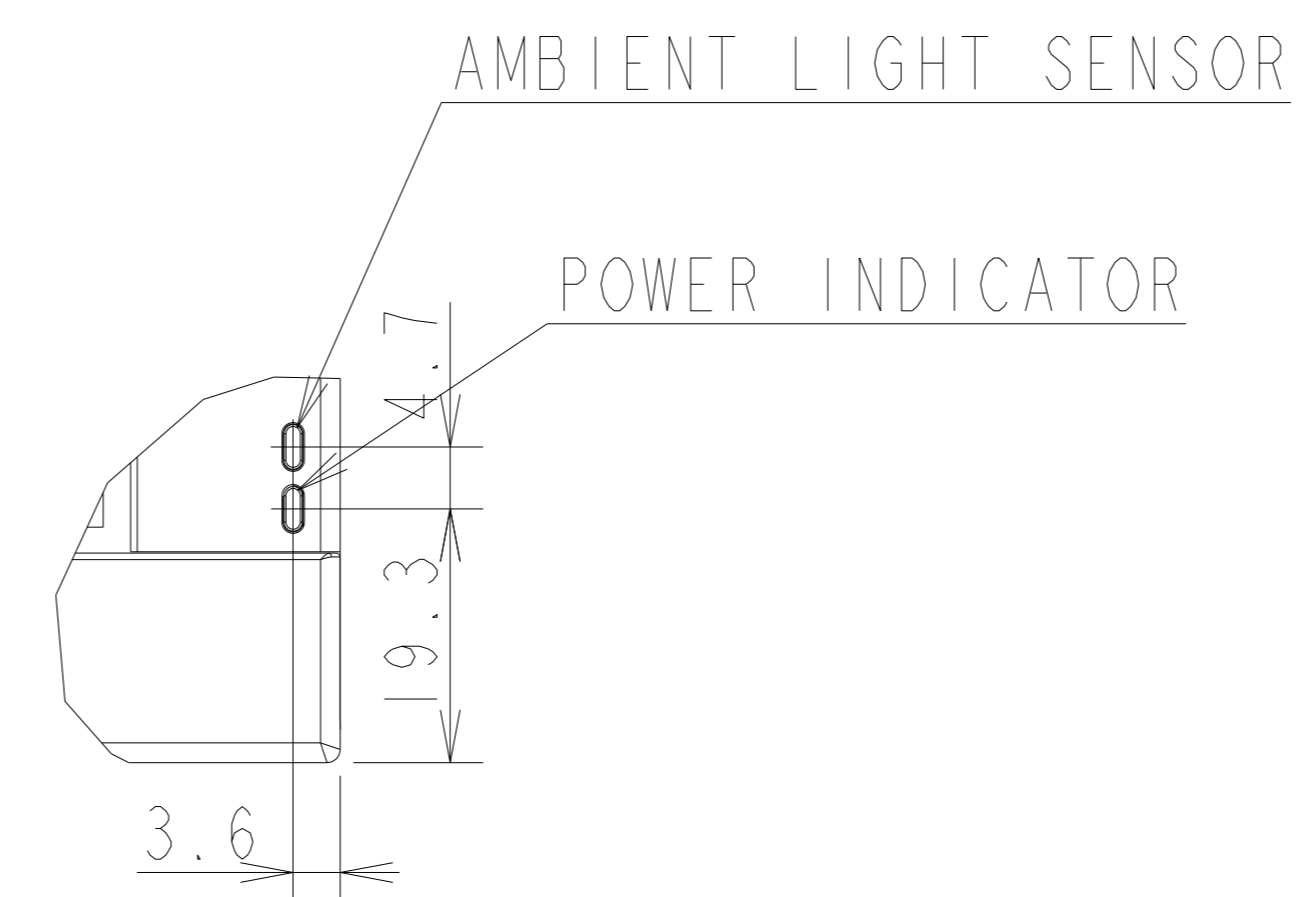
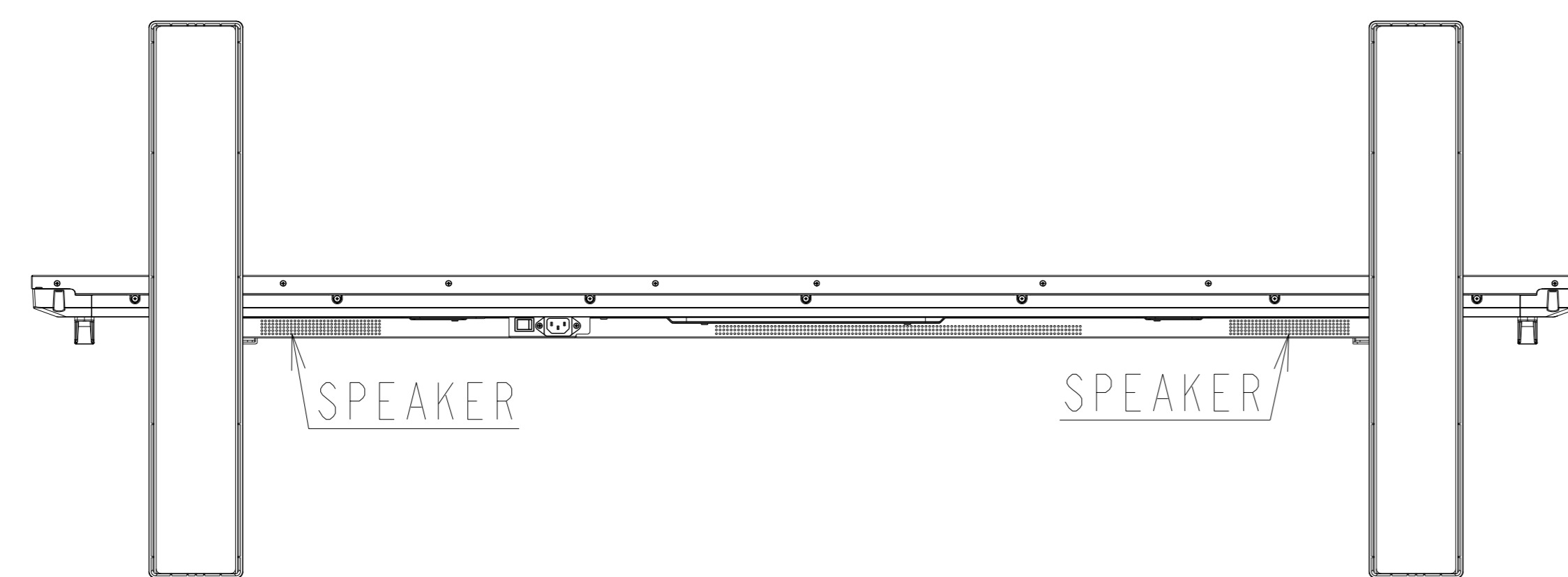
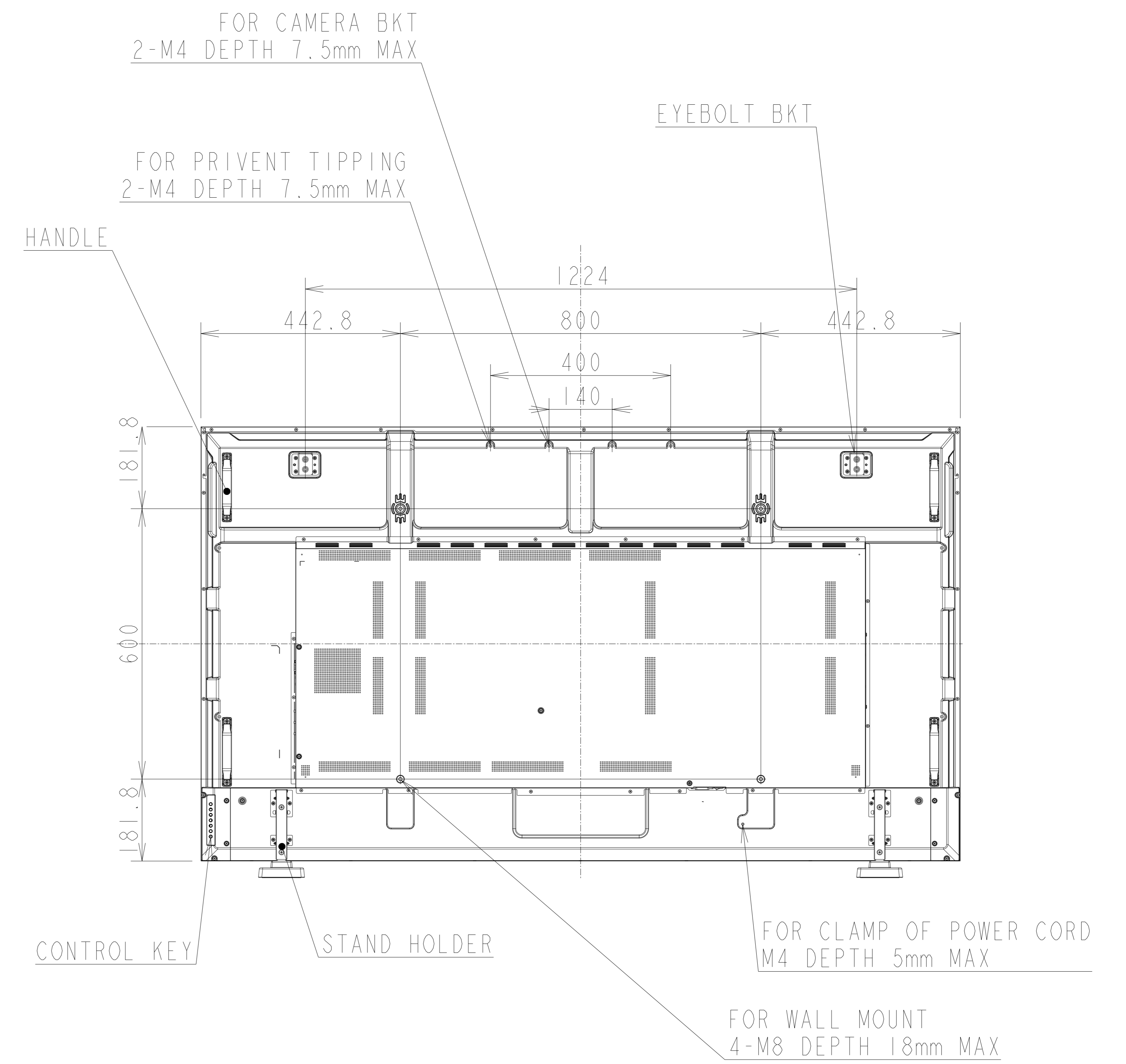
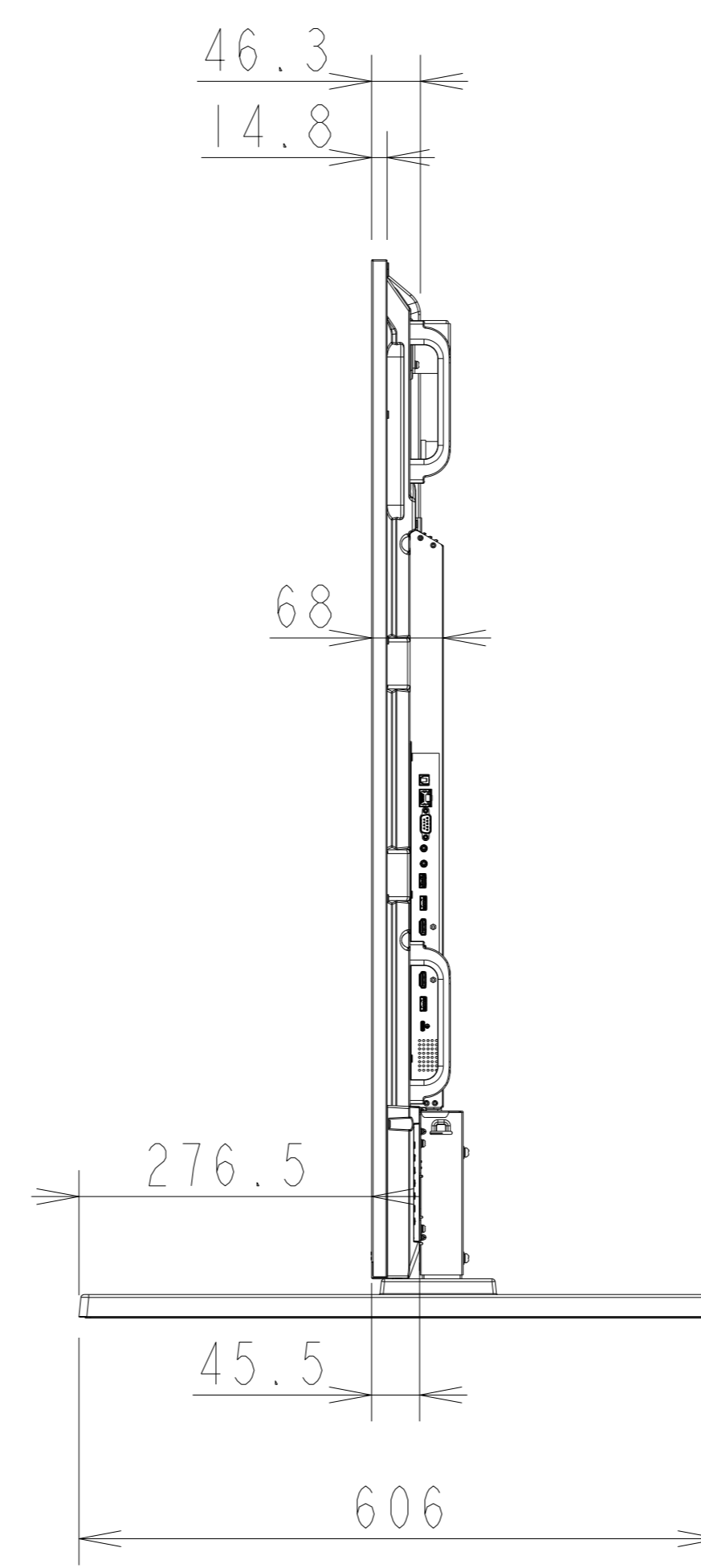


PN-ME752 WITH ST-801 OUTLINE



REMOTE CONTROL SENSOR

The step in height between the panel surface and the BEZEL surface is about 3.5mm



DETAIL A

UNIT	mm
MODEL	PN-ME752 with ST-801
Sharp NEC Display Solutions, Ltd.	
2024/11/07	