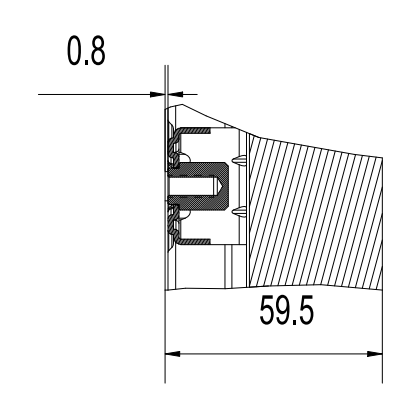
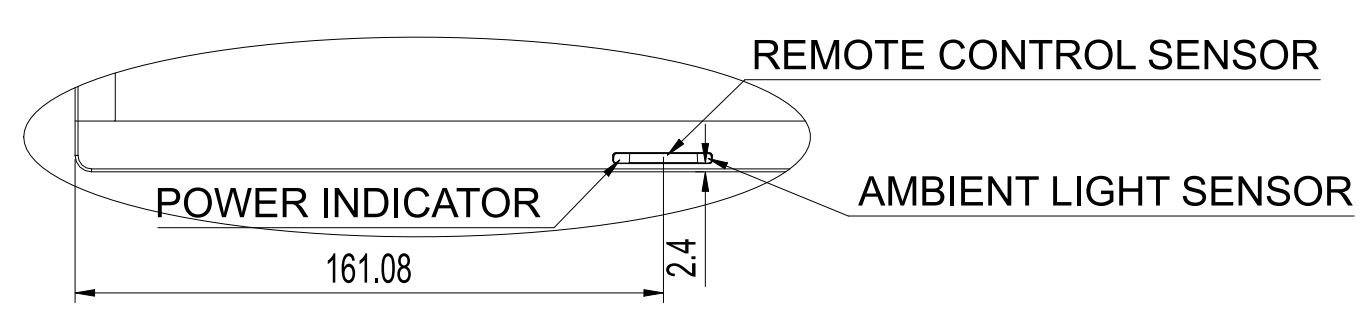


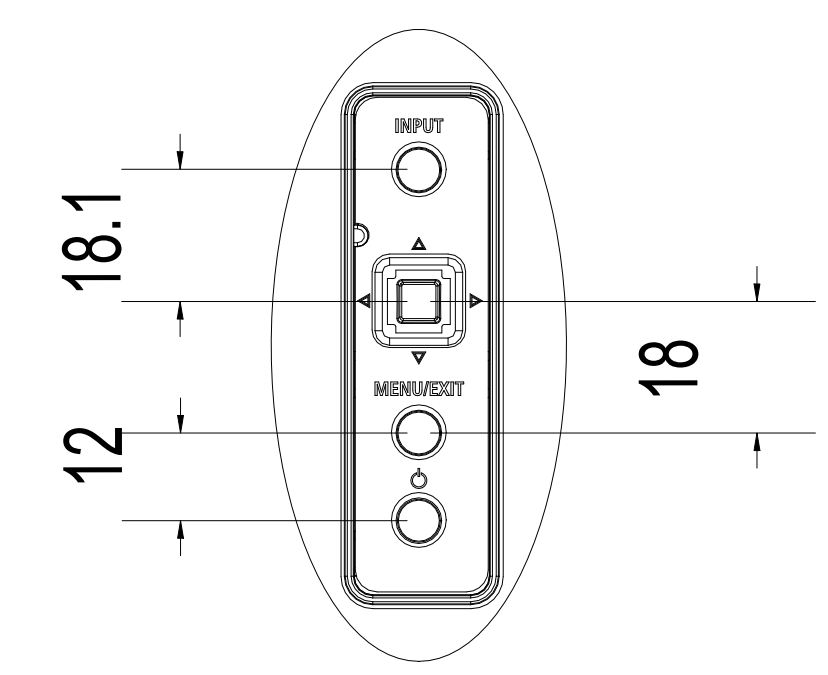
SECTION A-A



SECTION B-B

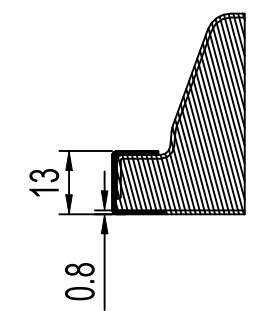
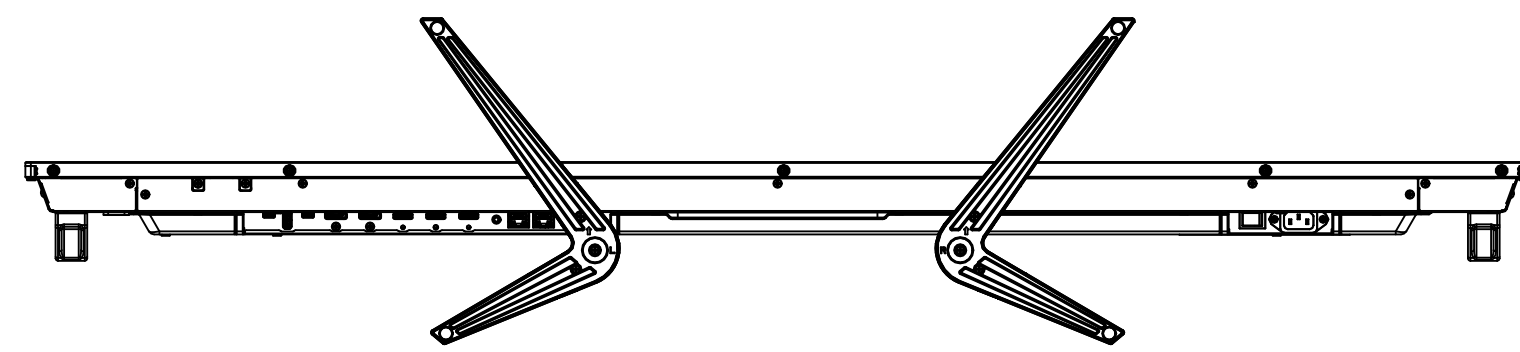
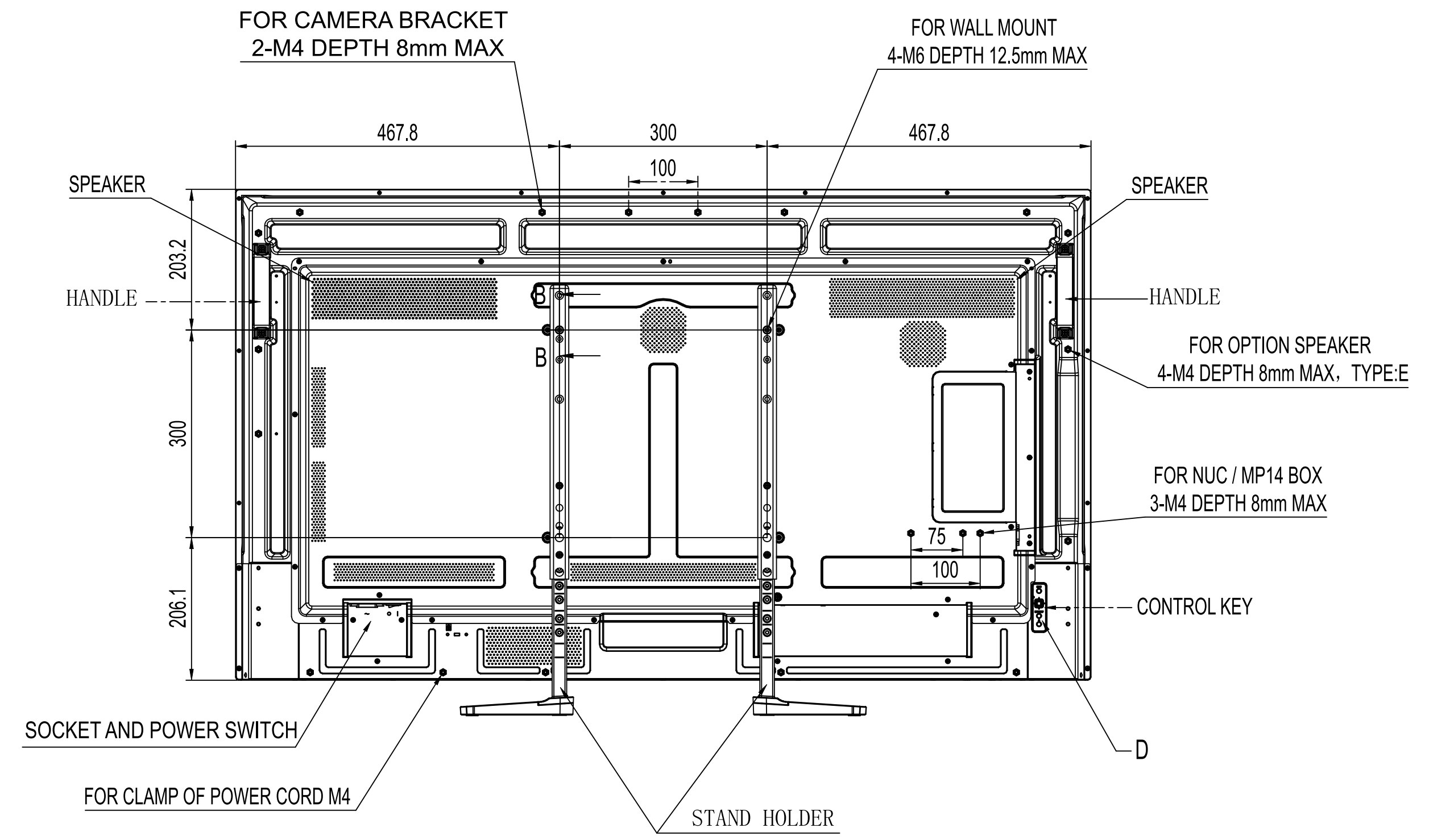
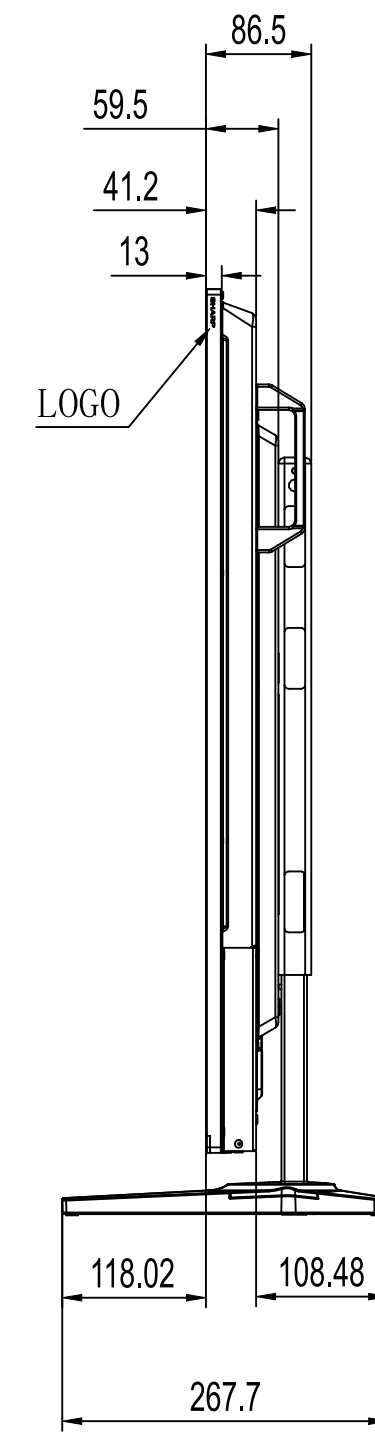
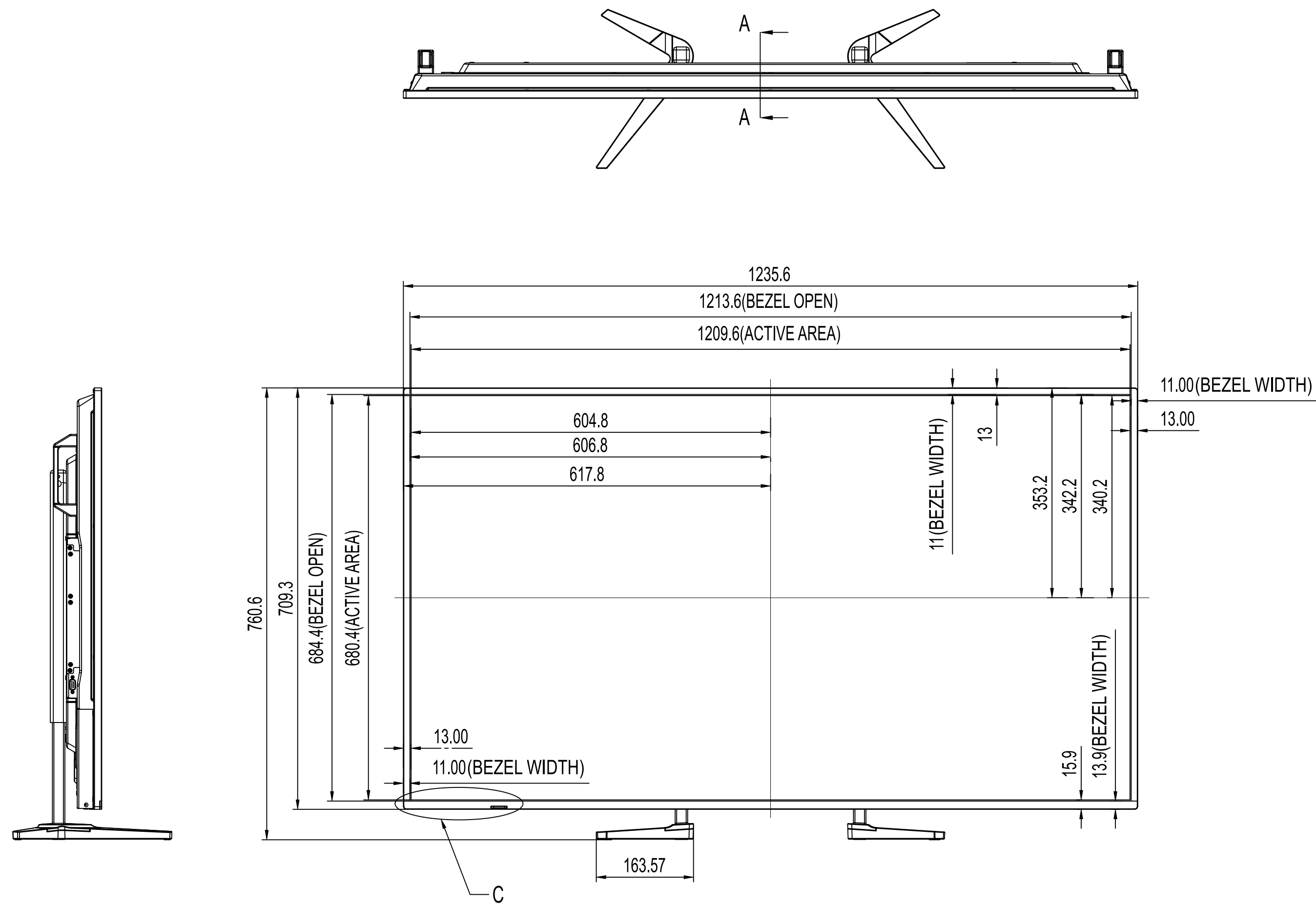


DETAIL C

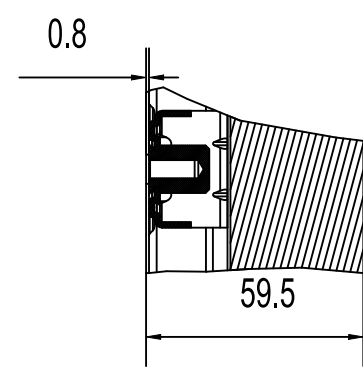


DETAIL D

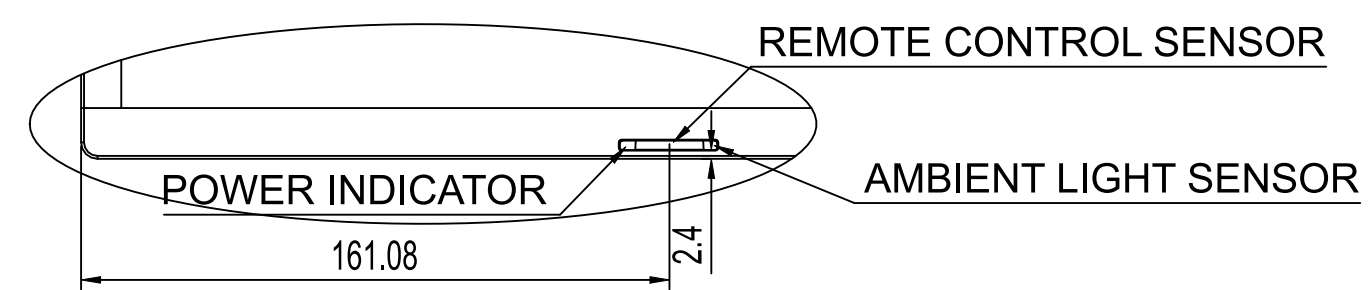
UNIT	mm
MODEL	PN-P556 with ST-43M Low
DATE	2025/02/04



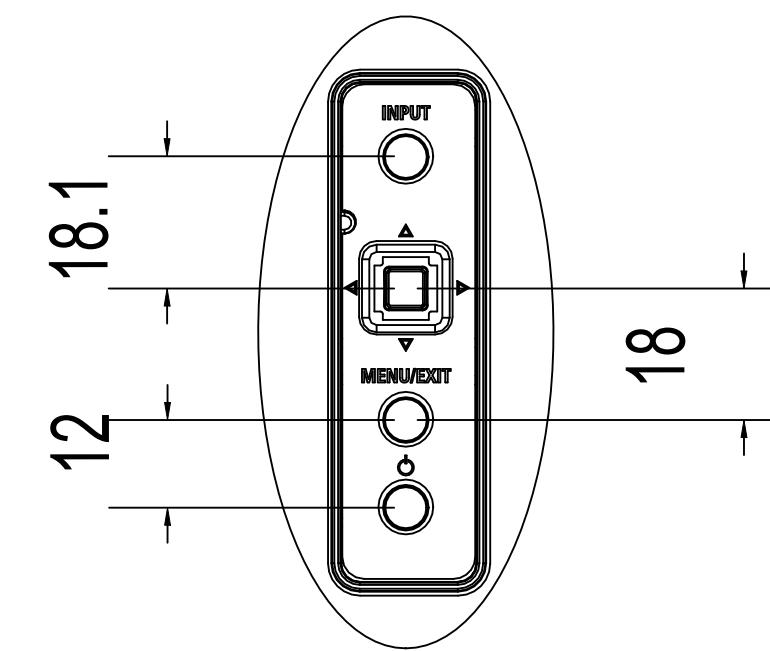
SECTION A-A



SECTION B-B



DETAIL C



DETAIL D

UNIT	mm
MODEL	PN-P556 with S T-43M High
DATE	2025/02/04